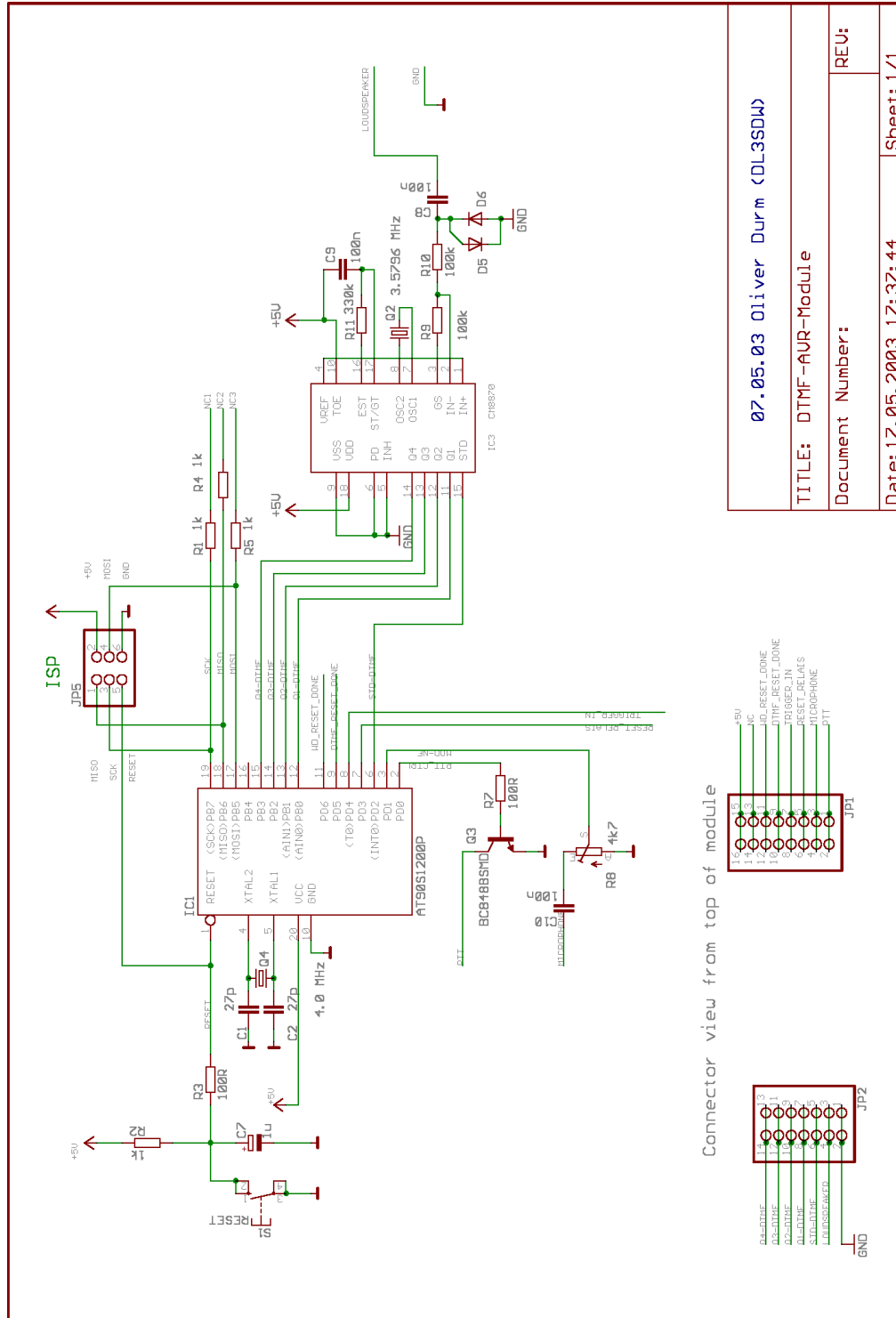
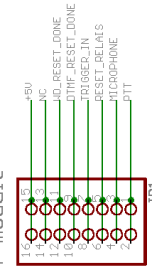
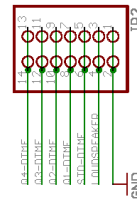


1 Simple Interface para Echolink

5.1. DTMF-µC-Module



Connector view from top of module

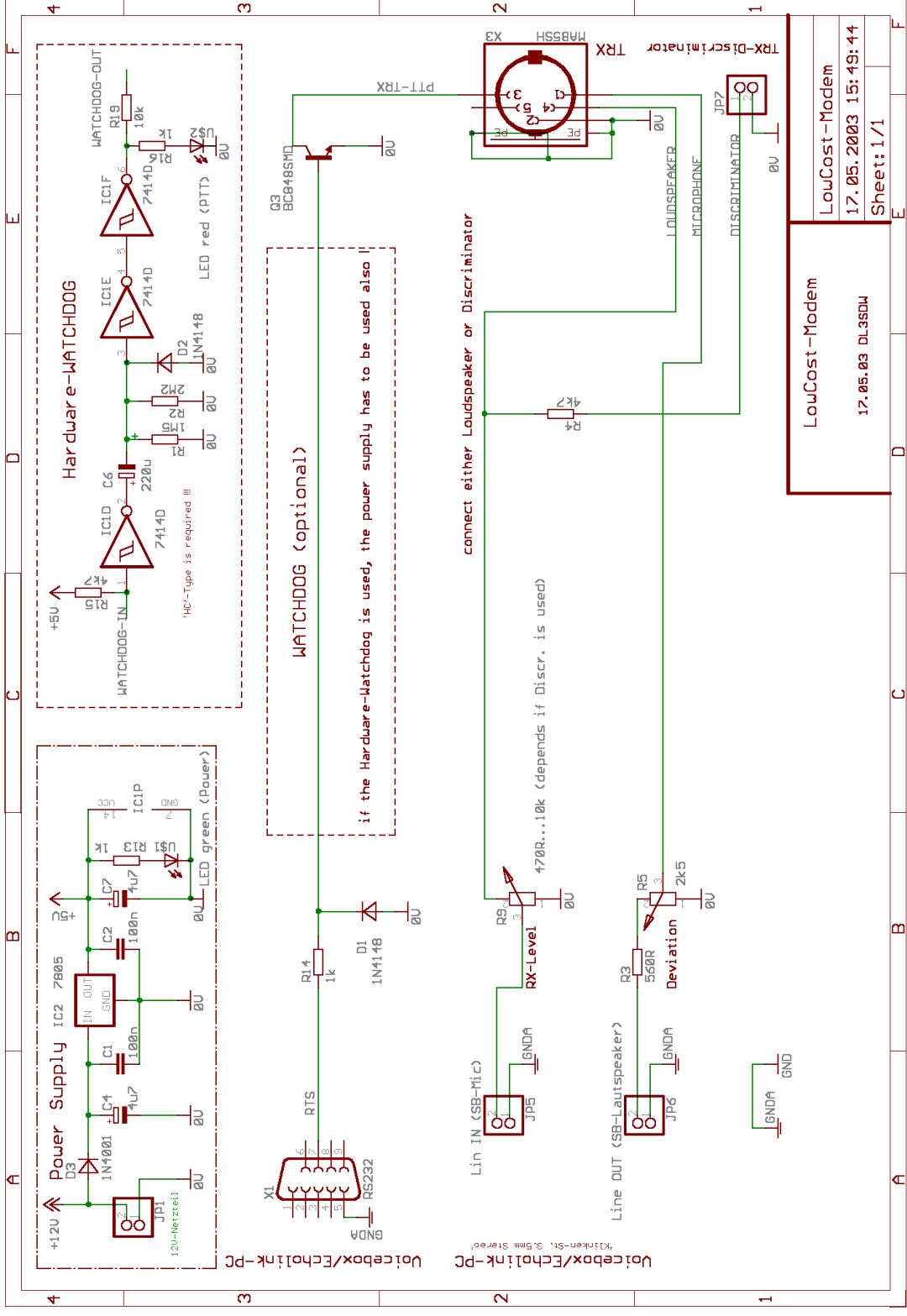


07-05.03 Oliver Durm (DL3SDW)

TITLE: DTMF-µC-Module

Document Number: REV:

Date: 17.05.2003 17:37:44 Sheet: 1/1



LowCost-Modem
 17.05.2003 15:49:44
 Sheet: 1/1